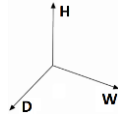


# BAT 3.4 VRLA Battery Bank



Maintenance free lead AGM, VRLA technology

Output: 24 VDC 3 Ah

Protection: Fuse

Connection with screws

Short circuit Protection

IP20

Wall Mount with screws

Din Rail Mount

## Feature

Battery Bank for DC-UPS "All In One". Lead AGM, VRLA technology, maintenance-free lead-acid batteries with serial fuse. Simple connection with screws for Wall mount or DIN rail.

## Technical Data

|                       |                     |
|-----------------------|---------------------|
| Nominal Input Voltage | 24 VDC              |
| Battery Type (tpy)    | Lead AGM 3 Ah       |
| Dimension (WxHxD)     | 67x60x134 mm        |
| Protection Fuse       | Flat type Mini 25 A |
| Recovery Fuse         | Flat type Mini 25 A |

## Charging Data

|   |          |
|---|----------|
| End-of-charge Voltage (trickle charge) 20°C | 27.5 VDC |
| End-of-charge Voltage (trickle charge) 30°C | 26.8 VDC |
| End-of-charge Voltage (trickle charge) 40°C | 26.1 VDC |
| Max. permissible charging current           | 0.9 A    |

## Discharging Data

|                                      |             |
|--------------------------------------|-------------|
| Battery disconnection from CBI       | < 19 VDC    |
| Max. permissible Discharging current | 25 A        |
| Self-discharge rate at 20 °C         | 15% x month |

## General Data

|                                      |                                   |
|--------------------------------------|-----------------------------------|
| Protection Degree (EN/IEC 60529)     | IP 20                             |
| Protection Class                     | III                               |
| Connection Terminal Block Screw Type | 0.5-16 mm <sup>2</sup> (20-6 AWG) |
| Dimension (WxHxD)                    | 75x193x164 mm                     |
| Weight                               | 3.5 kg                            |
| DIN Rail                             | Yes                               |
| Wall mount                           | Yes                               |

## Climatic Data

|                                    |             |
|------------------------------------|-------------|
| Ambient Temperature operation      | 0 ... 40 °C |
| Ambient Temperature Storage        | 0 ... 40 °C |
| Humidity at 25 °C, no condensation | 95 %        |

## Norms and certifications

The CE mark in According to EMC Directive 2004/108/EC and Low voltage Directive 2006/95/EC.

## Electrical Safety

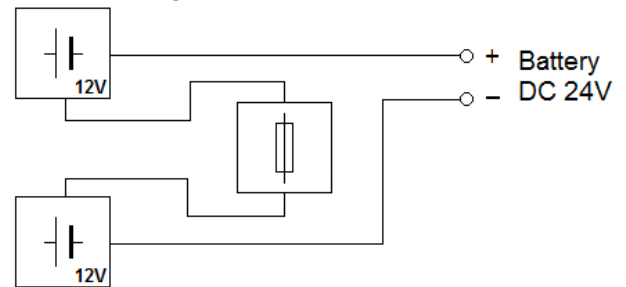
In compliance to UL508.

According to EN 60950-1/VDE 0805 (SELV) and EN 50178/VDE 0160 (PELV).

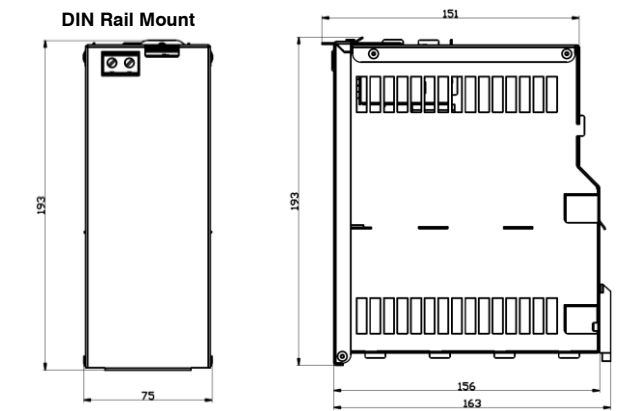
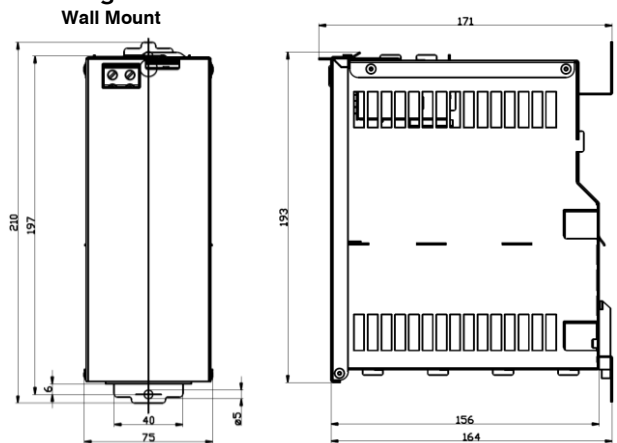
## Buffering time (min)

| Battery Size | 1.3 Ah | 3 Ah | 7 Ah | 12 Ah |
|--------------|--------|------|------|-------|
| Load 1.5 A   | 20     | 60   | 200  | 400   |
| Load 3 A     | 8      | 30   | 120  | 240   |
| Load 5 A     | 3      | 15   | 55   | 100   |
| Load 7.5 A   | 2      | 10   | 30   | 60    |
| Load 10 A    | No     | 7    | 20   | 45    |
| Load 12 A    | No     | 3    | 12   | 30    |
| Load 15 A    | No     | No   | 9    | 20    |
| Load 20 A    | No     | No   | 7    | 13    |

## Electrical Diagram



## Drawings



## Accessory

Protection Fuse Flat Type Mini 25 A

