



THR - THV DOUBLE-THERMOSTATS

Compact double thermostat for DIN 35 mm. rail mounting.
Based on bimetallic junction, provide high capacity and separated
NO and NC contacts in different combinations.
Three versions available:

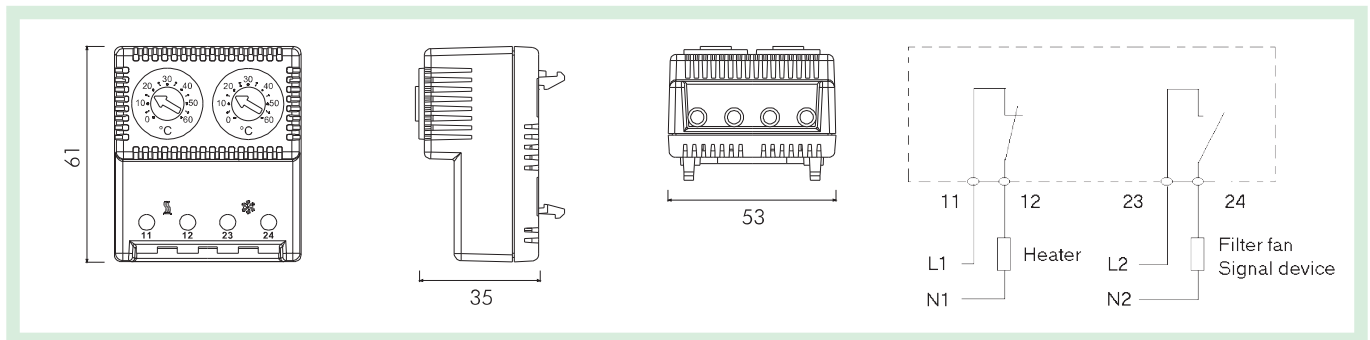
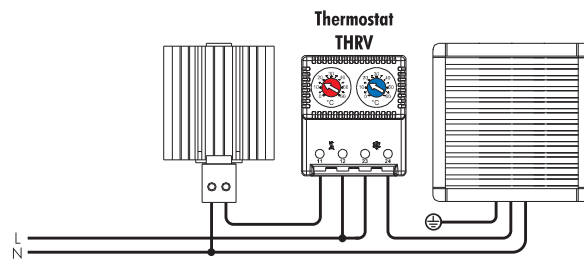


THR13	NC	●	NO	●
THR22	NC	●	NO	●
THV22	NO	●	NO	●

Features	Unit	THR13		THR22		THV22	
Contact function	-	NC	NO	NC	NO	NO	NO
Temperature setting range	°C	-10/+50	+20/+80	0/+60	0/+60	0/+60	0/+60
Precision	°C	±4					
Hysteresis	°C	7					
Max. switching current:							
at 250Vac resistive load (inductive load)	A	10 (1.6)					
at 125Vac resistive load (inductive load)	A	15 (2.5)					
Max. switching power in Vdc	W	30					
Temperature sensor type	-	Thermostatic bimetal					
Contact type	-	Snap action					
Contact resistance	mOhm	< 10					
Service life	cycles	> 100,000					
Electrical connections	-	2-pole terminal for 2.5 mm ² wire					
Casing	-	PA6, UL94 V0 self-extinguishing, light grey RAL 7035					
Protection degree EN60529	-	IP20					
Operating temperature	°C (°F)	-25/+80 (-13/+176)					
Storage temperature	°C (°F)	-45/+80 (-49/+176)					
Mounting	-	Clip for mounting on DIN rail 35 mm EN50022					
Installation position	-	variable					
Conformity	-	CE - UL File n. E348803					
Dimensions HxWxD	mm	61x53x35					
Weight	g	80					

Accessories

DIN rail bracket	GUIDADINPL	GUIDADINPL	GUIDADINPL	GUIDADINPL	GUIDADINPL	GUIDADINPL
------------------	------------	------------	------------	------------	------------	------------



ael-cat-en-15.01 - Specifications, values and drawings are subject to change without notice.